

# Rollers™ Portable Table Assembly Instructions

STEP 1: Attached Rollers™ Portable Table Top to the Genufold (see page 2 for next steps).



Bottom of table with  
(11) pre-drilled  
mounting holes.

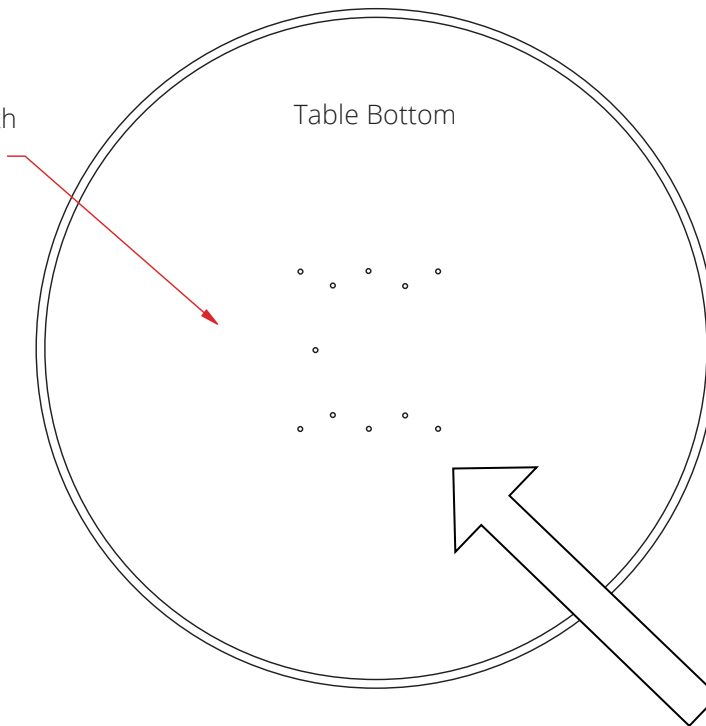
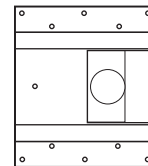


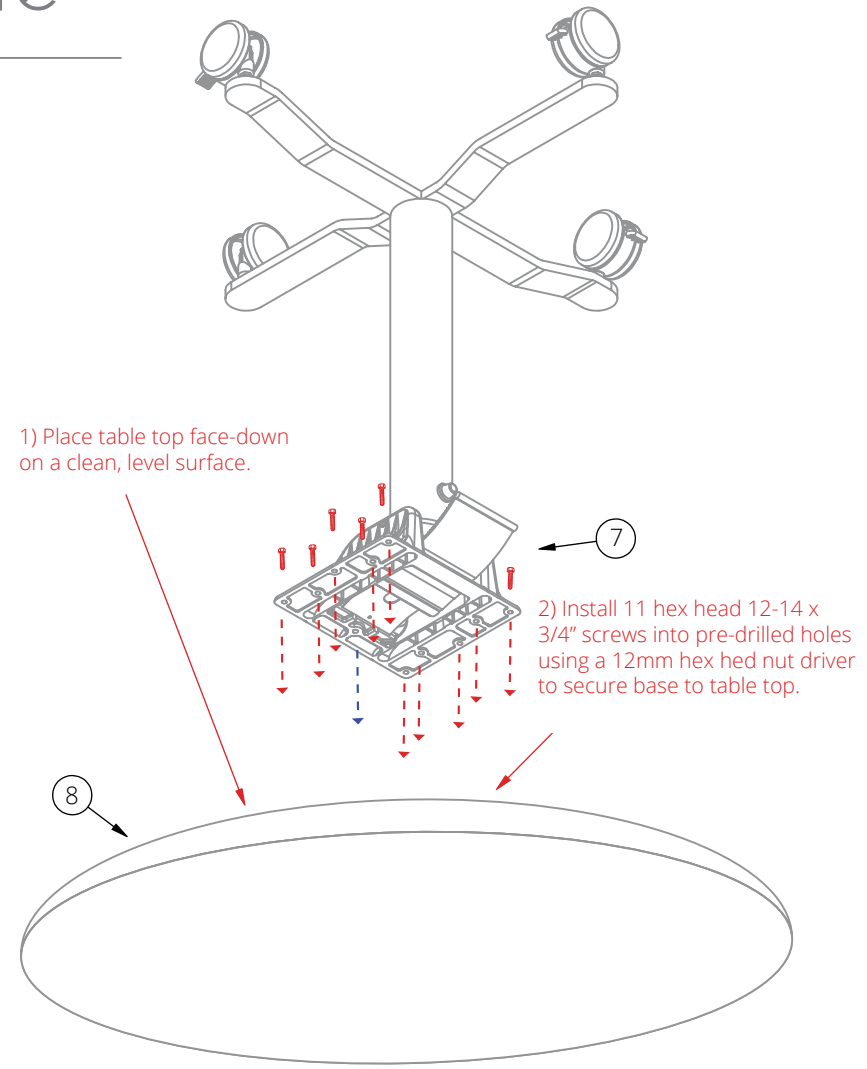
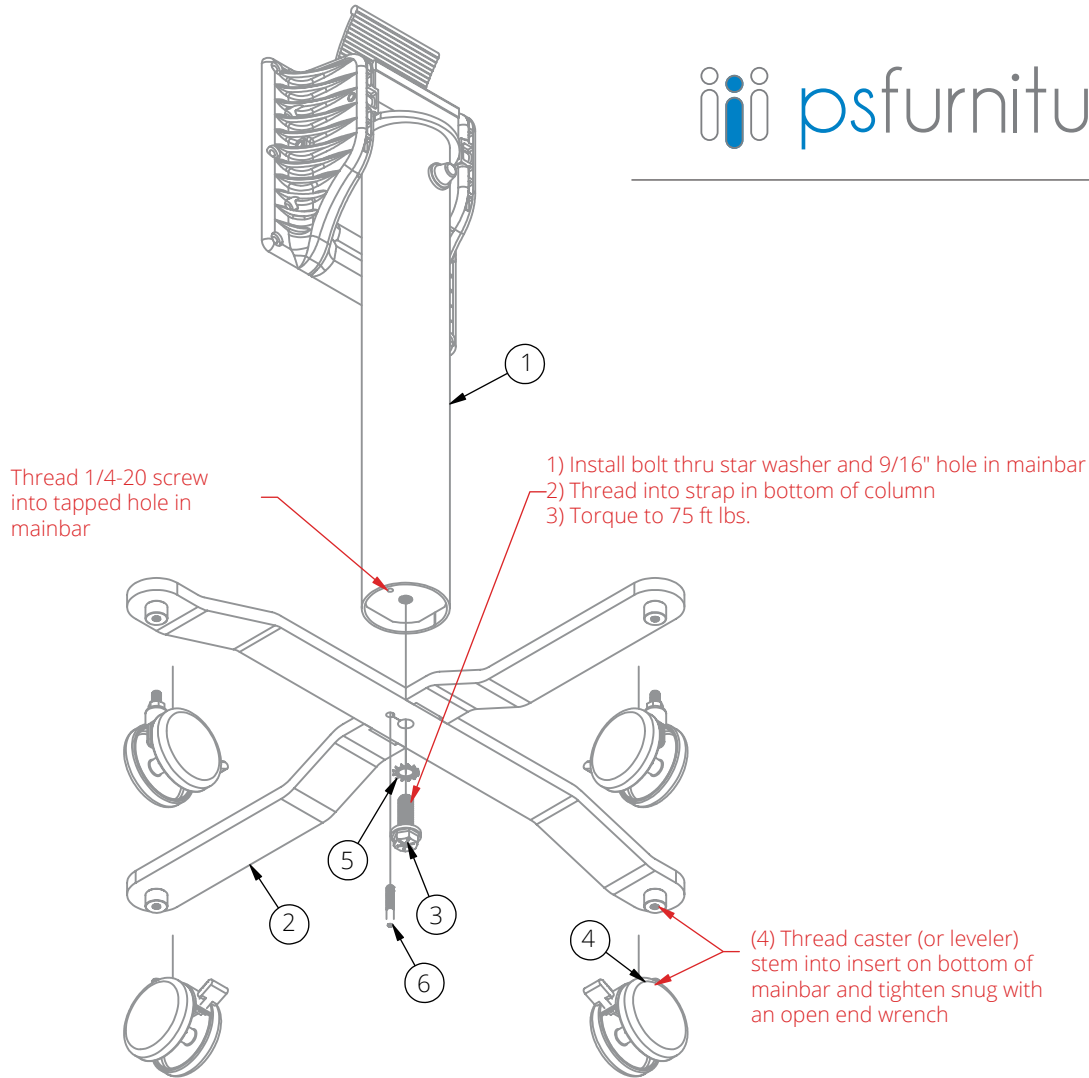
Table Bottom

Align hinge mechanism iwth  
pre-drilled holes on table bottom  
and attach using a 5/16" nut  
driver to install (11) provided  
#12-24 x 3/4" drill tip screws into  
pre-drilled holes.



X 11





Parts List		
Seq	Qty	Description
1	1	317 Column Assembly - Nesting X-Base
2	1	317N Mainbar Wldt
3	1	1/2 X 1 1/2 Flange Head Bolt
4	4	3" DIA Locking Caster - 1/2" Stem
5	1	Star Washer
6	1	1/4"-20 X 1 1/2" Button Head Socket Cap Screw
7	11	12-14 x 3/4" Self-Drilling, Self-Tapping Hex-Head Screws
8	1	Table Top