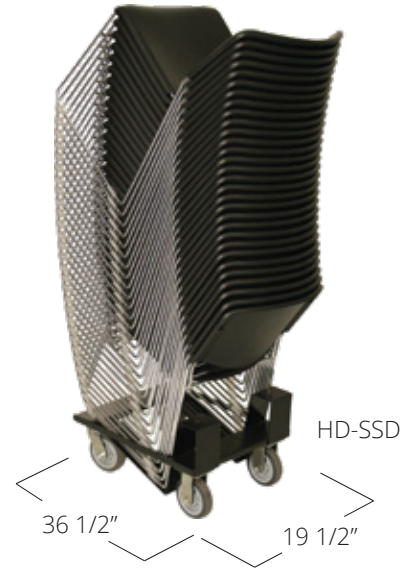




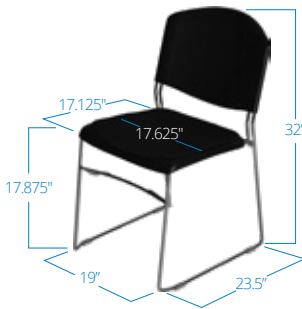
PremierComfort® PC500 Sled Stacking Chairs are designed for convenient portability and very compact storage. As the name implies, PremierComfort® chairs are also made for long term seated comfort.

**MODEL PC500 CHAIRS
STACKED 30 HIGH ON HD-SSD DOLLY**
MEASURE 19.5" WIDE X 36.5" DEEP



COMFORTABLE DESIGN

The contours of the PremierComfort® PC500 chair seat and back are designed and molded for comfort, with a “waterfall” style seat shaped to be very easy on your legs. Opt for a perforated back to enhance the design. For even greater comfort, choose a padded seat with our model PC501.



COMFORTABLE DIMENSIONS

PremierComfort® PC500 Sled Stacking Chairs have ample dimensions for individuals of all sizes. Seat width and depth both exceed 17”.



CHAIR GANGING

Optional integral frame ganging is available for PremierComfort® PC500 Sled Stacking Chairs for venues requiring straight rows and the added safety of ganged chairs.



COMPACT STACKING & STORAGE

PremierComfort® Sled Stacking Chairs are made to move quickly and store densely. Model PC500 chairs stack up to 30 high on a dolly that occupies only 5 square feet of floor space.

STOCK COLORS



Note: BK and CG are the only two color choices for the PC501

SPECIAL COLORS

