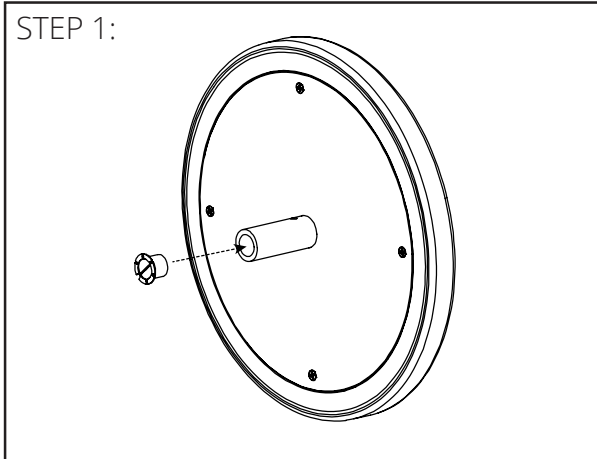
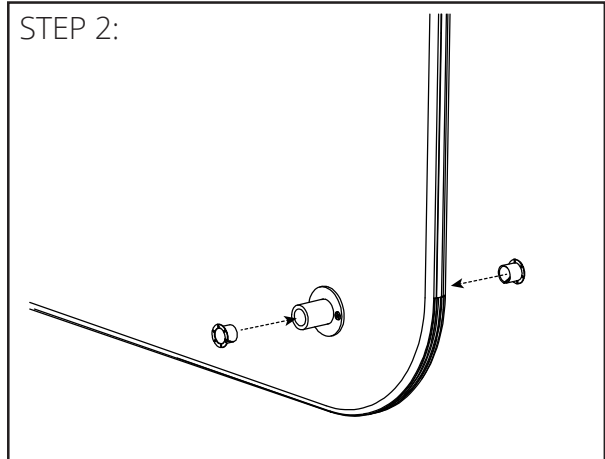


STEP 1:



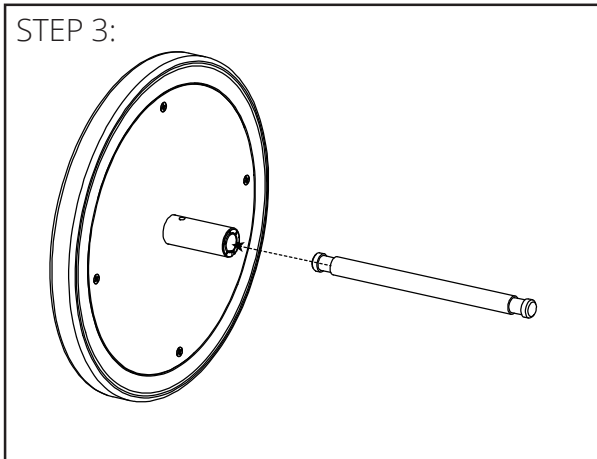
Insert plastic bushing into both wheel assemblies.

STEP 2:



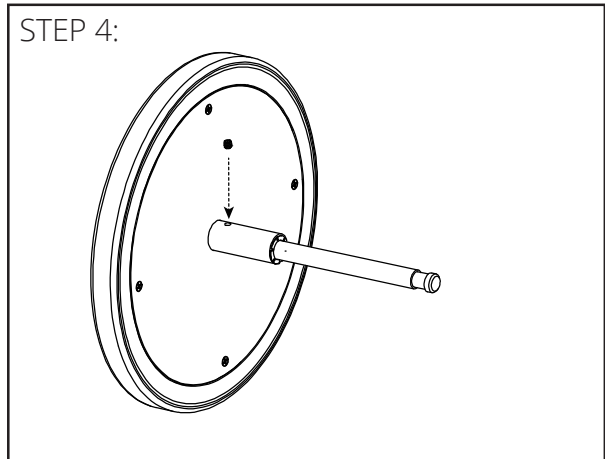
Insert plastic bushings into both sides of panel.

STEP 3:



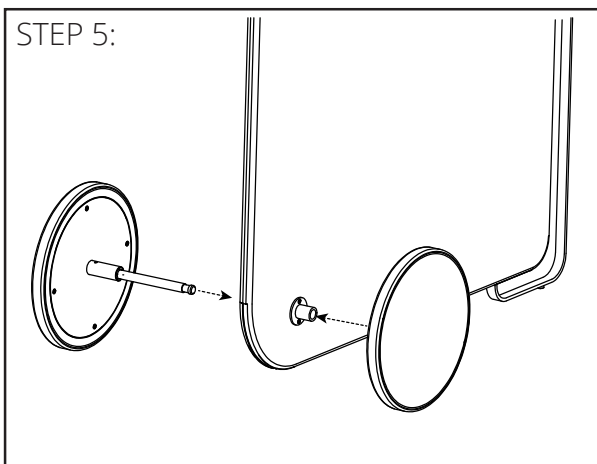
Insert axle into wheel assembly. Ensure axle is fully inserted into wheel assembly.

STEP 4:



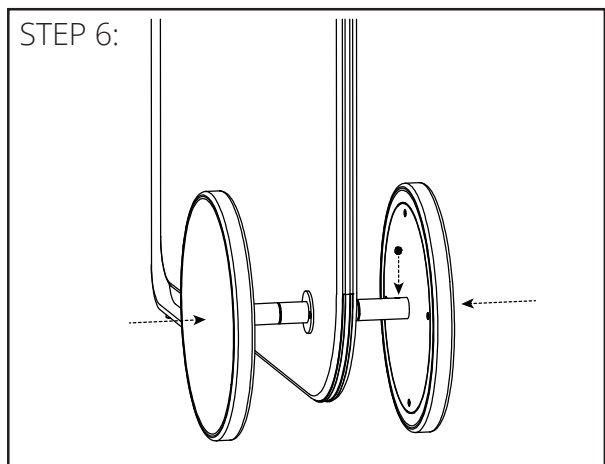
Using an allen wrench, loosely install set screw. Set screw should align with notch in axle. *Do not fully tighten set screw until STEP 6.

STEP 5:



Slide axle through panel and into opposite wheel assembly. Push both wheel assemblies tight against panel.

STEP 6:



While pushing inward on both wheels, install set screw into second wheel assembly. Set screw should align with notch in axle. Give both set screws a final hand tighten.

Cleaning Para Wood Wheels

- Attached are the assembly/disassembly instructions.
- Accidental Spills: Spilled liquids should be wiped up immediately with a soft absorbent cloth.
- Periodic Dusting: Clean with a slightly damp cloth, using another soft cloth to dry.
- Always wipe in the direction of the wood grain. Oil, ammonia and silicon products should never be used on wood furniture.
- Regularly/Monthly Cleaning: Lightly soiled areas may be cleaned with Guardsman Wood Cleaner products, following the cleaner's directions.
- Surfaces should be cleaned with a soft cloth, wiping in same direction as the wood grain and dried with a soft cloth. Oil, ammonia and silicon products should never be used on wood furniture.

Polishing Wood Furniture

We do not recommend the use of commercial wax or polish which may leave undesirable residues. If polishing is desired, use a polish that is silicone free such as Guardsman Wood Polish. Oil, ammonia and silicon products should never be used on wood furniture.

Cleaning Bio-Felt

- Dust should be removed with a vacuum brush attachment.
- Stains should be treated gently with water and mild soap.