



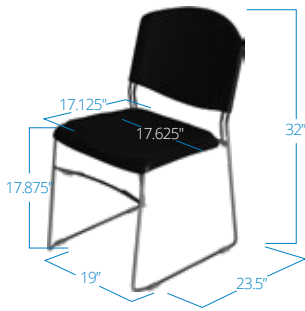
PremierComfort® PC500 Sled Stacking Chairs are designed for convenient portability and very compact storage. As the name implies, PremierComfort® chairs are also made for long term seated comfort.

**MODEL PC500 CHAIRS
STACKED 30 HIGH ON HD-SSD DOLLY**
MEASURE 19.5" WIDE X 36.5" DEEP



COMFORTABLE DESIGN

The contours of the PremierComfort® PC500 chair seat and back are designed and molded for comfort, with a “waterfall” style seat shaped to be very easy on your legs. Opt for a perforated back to enhance the design.



COMFORTABLE DIMENSIONS

PremierComfort® PC500 Sled Stacking Chairs have ample dimensions for individuals of all sizes. Seat width and depth both exceed 17”.

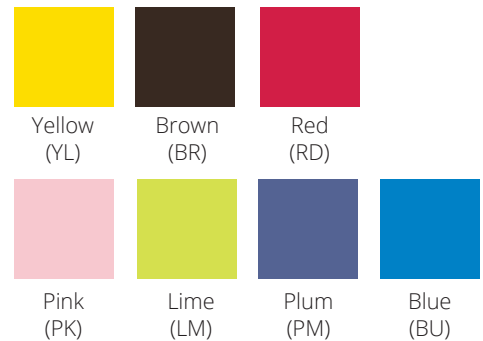
STOCK COLORS



CHAIR GANGING

Optional integral frame ganging is available for PremierComfort® PC500 Sled Stacking Chairs for venues requiring straight rows and the added safety of ganged chairs.

SPECIAL COLORS



COMPACT STACKING & STORAGE

PremierComfort® Sled Stacking Chairs are made to move quickly and store densely. Model PC500 chairs stack up to 30 high on a dolly that occupies only 5 square feet of floor space.